

3D view

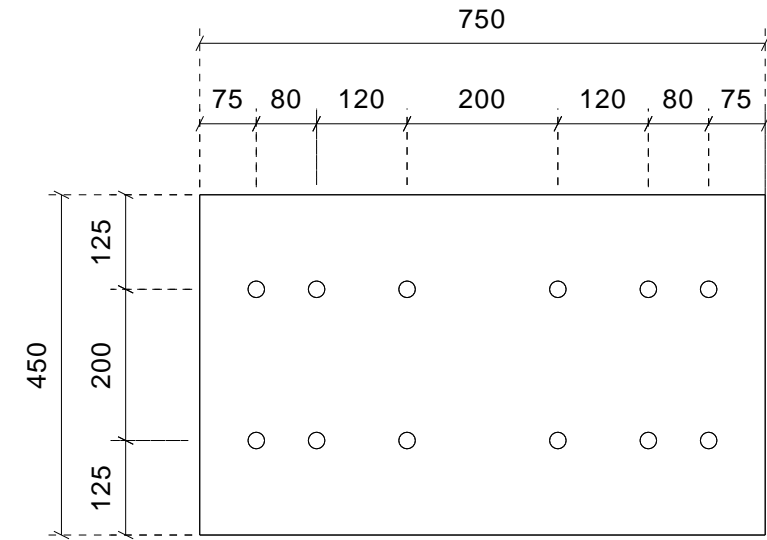
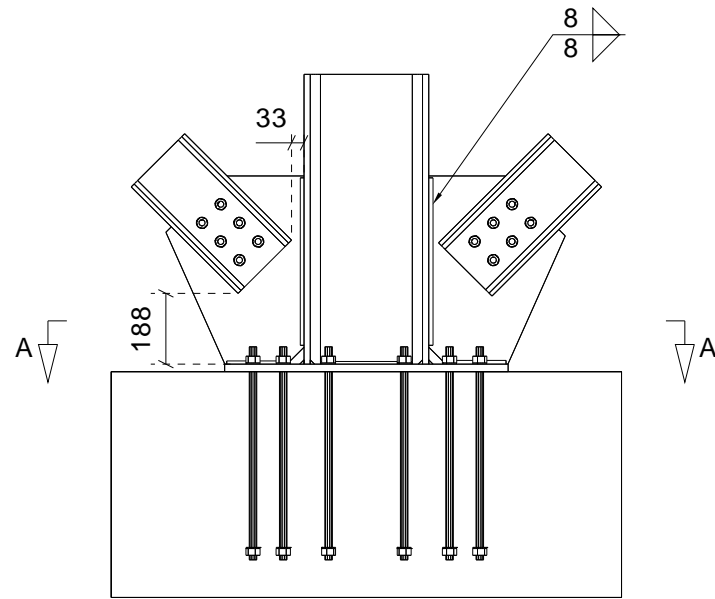
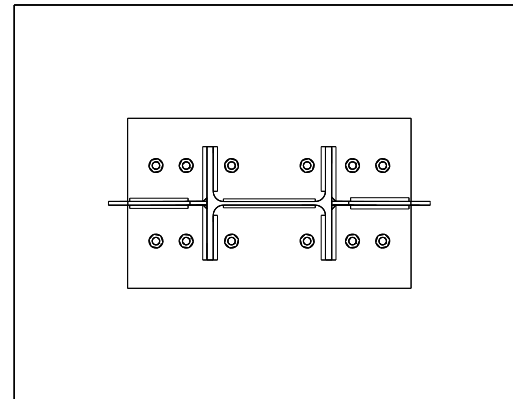


Plate (t=20.0mm)
Scale 1:10



Front view
Scale 1:20



Section A-A
Scale 1:20

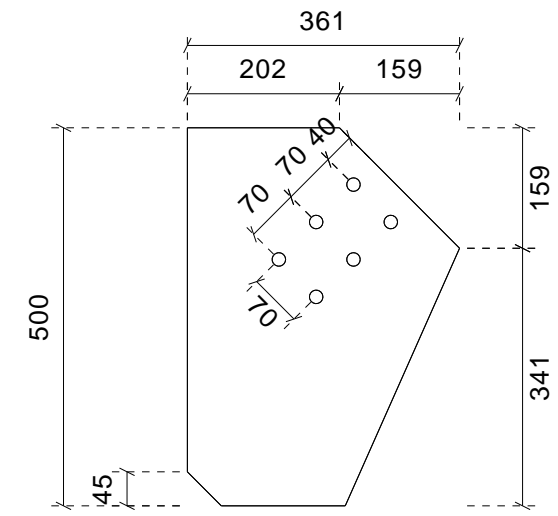


Plate (t = 10.0 mm)
Scale 1:10

Project: CST001-B4007

Title: Connection N13 PA

Sheet:

Status:

Date:

