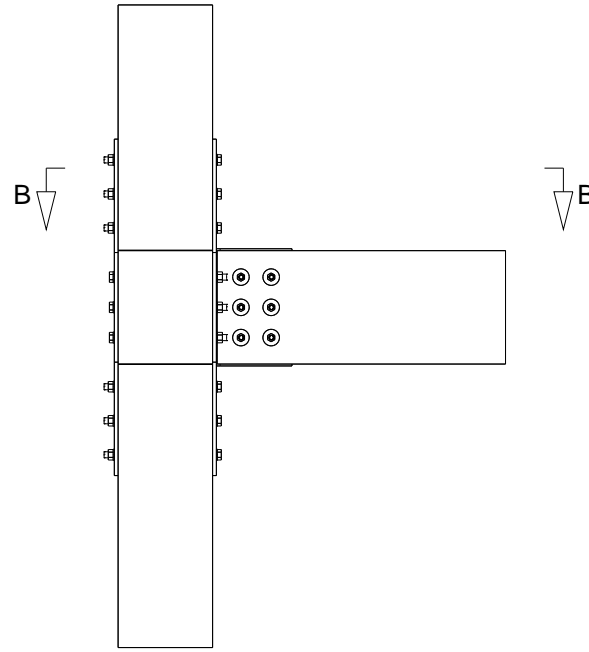


3D view
Scale 1:10



Side view
Scale 1:20

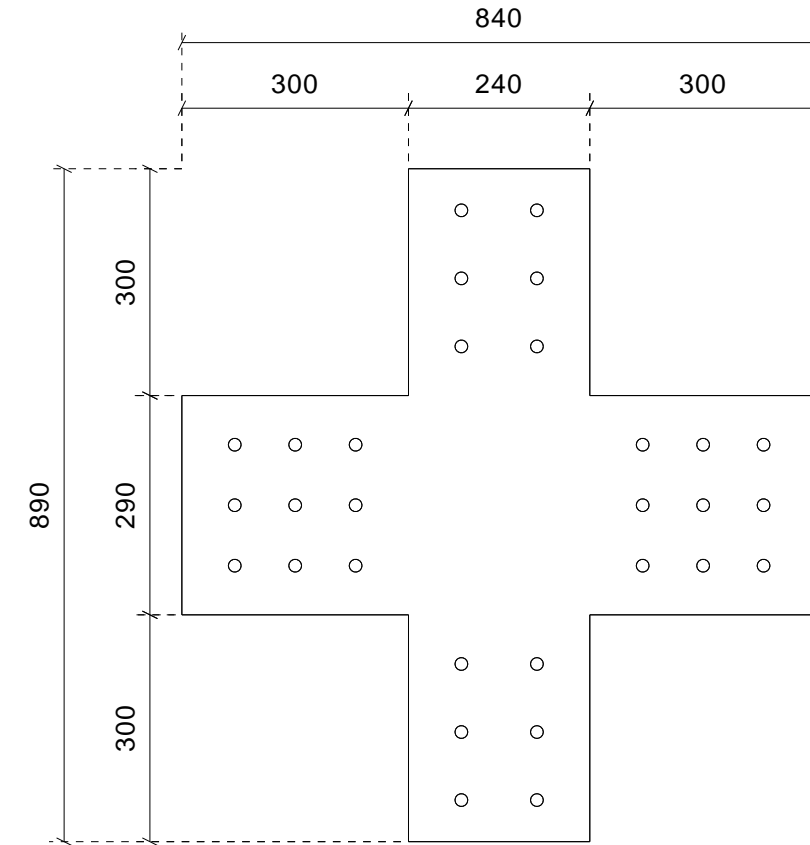
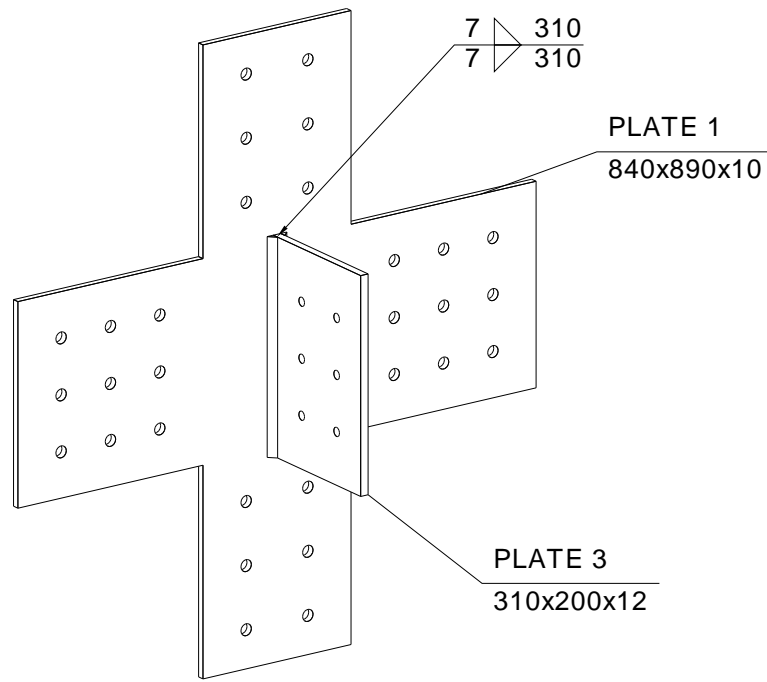
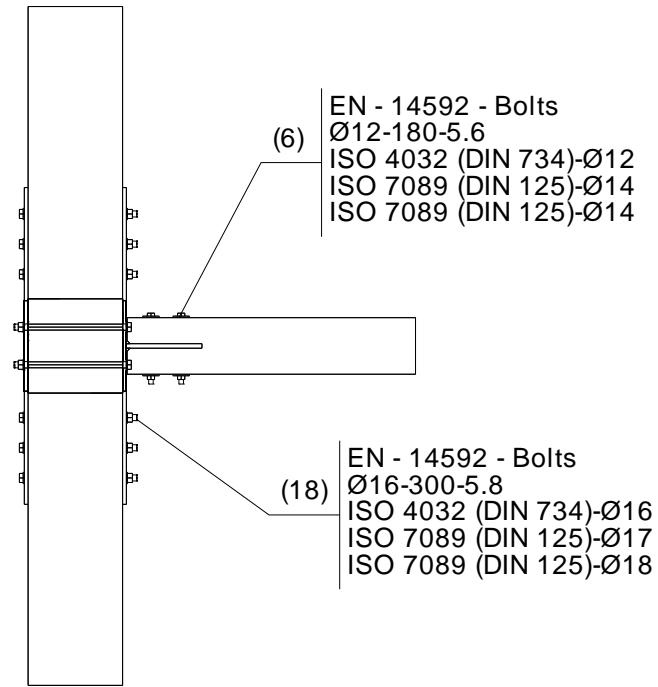


PLATE 1 (t = 10.0 mm)
Scale 1:10



Scale 1:10



Section B-B
Scale 1:20

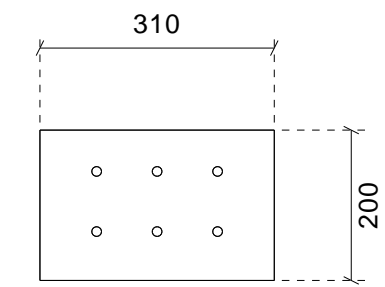


PLATE 3 (t = 12.0 mm)
Scale 1:10

Project: CST001-B4007

Title: Connection 2

Sheet:

Status:

Date:

